

## Low Current Laser Diode Driver Board OELDD-150

OELDD-150 Laser Diode Driver provides precise constant laser current. It is ideal to drive light emitting diode (LED) and laser diode (LD) without photodiode. Current feedback PI loop monitors and controls laser current accurately.

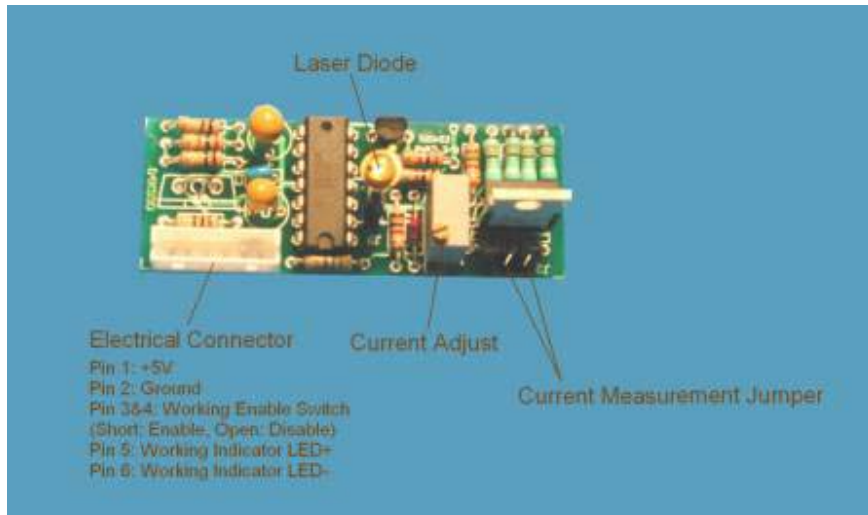


Figure 1. Low current laser diode driver

### Features:

- Operates in constant current mode
- Adjustable 1 to 150mA laser current
- 0.05% driving current accuracy
- Slow start circuitry
- External laser diode enable switch and working-indicator LED
- On-board 2-pin connector for LED and LD
- Single +5V power supply
- Wide operation temperature range

### Specifications:

Maximum laser diode driving current	150mA
Driving current accuracy	0.05%
Driving current stability	0.1% or 0.1mA (After 1 minute starting)
Slow-start delay time	200ms
Power supply	+5V
Operation Temperature	-40 ~ +75°C
Size	58mmX22mm

We have unbeatable low price for this product.

- price is updating, please make a request for our most recent price by calling (514)334-4588 or by emailing [sales@o-eland.com](mailto:sales@o-eland.com)

**O/E LAND INC.** Tel: (514)334-4588, Fax:(514)334-0216, [sales@o-eland.com](mailto:sales@o-eland.com), [www.o-eland.com](http://www.o-eland.com)