

[OEWAD-100]

DWDM Add/Drop Module (Single channel, FBG with circulator) 12.5/25/50/100/200 GHz

Features:

- Single channel
- Centre wavelength on ITU grid, or customer specified
- SM or PM-fibers
- Connector: FC-SC-LC/PC; FC-SC-LC /APC
- 3-port device in a single box
- With integrated optical circulator
- Best specifications available in the industry
- Cost effective

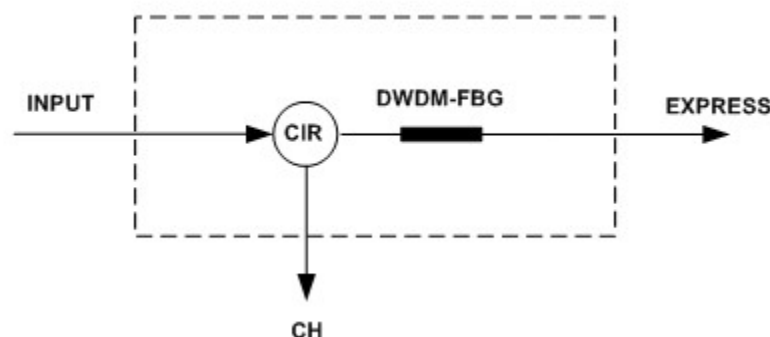
Applications:

- DWDM Optical System
- Add/Drop modules
- CATV systems
- Testing and Lab research
- Fiber Instrumentation
- Fiber Sensor
- Biomedical applications

Product description:

The single-channel DWDM-FBG Add/Drop module is based on our advanced Fiber Bragg Grating (FBG) filter technology and has three ports for multiplexing or demultiplexing. One of the main significances of this device is the flexibility of choice of channel wavelengths, which can be any from the ITU grid or customer specified in the S, C and L-band ranges. This device can be used to add or drop any single channel wavelength from array of multiple wavelengths. The channels spacing can be chosen from 6.25 GHz, 12.5 GHz, 25 GHz, 50 GHz, 100 GHz and 200 GHz.

Product schematic:

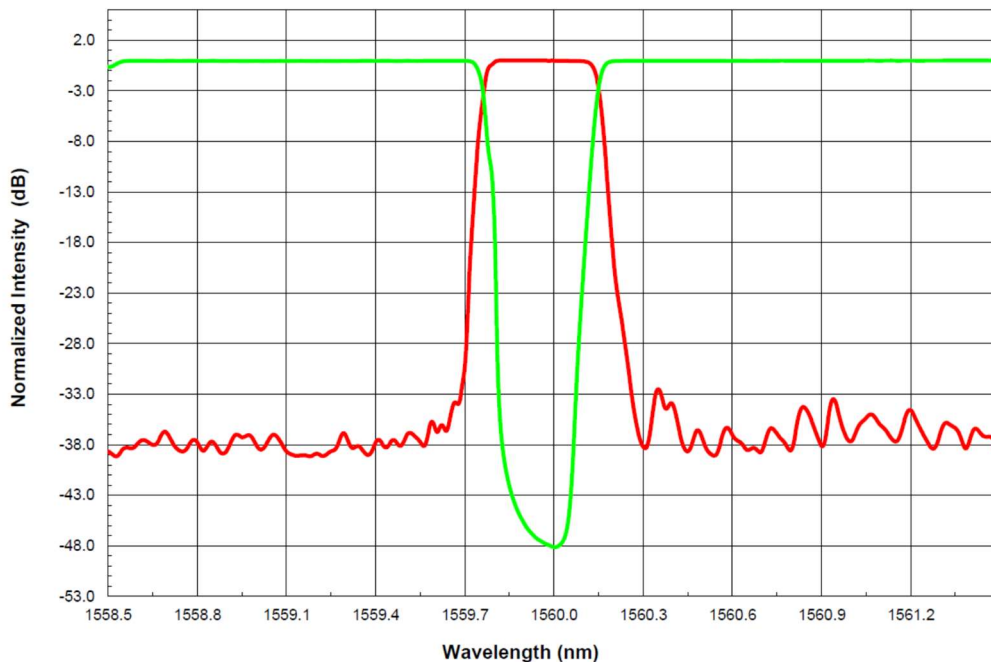


Product specifications:

Parameter	Unit	Value
Type		DWDM-FBG Add/Drop Module, single channel, with integrated circulator, 3-ports device
Port configuration		1x2
Wavelength		ITU grid; Custom: 1520-1675 nm
Wavelength accuracy	nm	± 0.05
Wavelength stability*	pm/°C	< 1.0
Reflection Bandwidth @-25dB**	6.25 GHz	< 0.06
	12.5 GHz	< 0.13
	25 GHz	< 0.25
	50 GHz	< 0.5
	100 GHz	< 1.0
	200 GHz	< 2.0
Isolation	dB	> 25
Insertion loss	Input -> Express	< 1.0
	Input -> Channel	< 2.0
Box dimensions	mm	depending on the channel spacing
Operating temperature	°C	0 to 60
Storage temperature	°C	-40 to 85

* Athermal package for the DWDM-FBG is required.

Product spectrum:



OEDWAD-100 (100 GHz DWDM-FBG Add/Drop Module)

Ordering number for OEWAD-100:

Channel spacing	CWL (nm)	FBG Package		Pigtail type		Connector		Fiber Length
012 (12.5 GHz)	Center Wavelength	None	P1	900 Tubing	T1	FC/PC	C1	Default: 1m
025 (25 GHz)		Athermal	P2	3mm Jacket	T2	FC/APC	C2	Custom: indicate value
050 (50 GHz)						SC/PC	C3	
100 (100 GHz)						SC/APC	C4	
200 (200 GHz)						LC/PC	C5	
						LC/APC	C6	
Example:	OEWAD-100-1550.120-P2-T1-C2-1							

Note: Customers who use Fiber Bragg Gratings (FBGs) or incorporate them with their own products, must buy their FBGs from a licensed manufacturer.
 O/E LAND INC. has full **License Agreement from CRC/UTC Fiber Bragg Grating Technologies Portfolio**.