

[OEPAS-BOOTS][OEPAS-CAP]

Fiber Optical Strain Relief Boots and Dust Caps

Features:

- Many different size strain relief boot and dust cap for 3mm and 900um connectors
- Designed to be used for different size crimp sleeves
- Different color of boot and dust cap
- Standard products and customer made products
- Low cost products
- Technical support is available

Applications:

- Fiber optical telecommunication
- Fiber optical component and device
- Fiber optical instruments
- Biomedical and other industry applications

Product description:

Fiber optical strain relief boot is to be used for reducing the strain and tension at curve transition location of fiber optical components and devices, mostly used in connector or fiber terminator. Fiber optical dust cap is used to prevent the fiber connector from dust and other contaminations.

Fiber boot and dust cap photos and drawings:



Fig1. OEPAS-BOOT-5, 8, and 7

[Standard precision is ± 0.2 mm]

Diagrams:

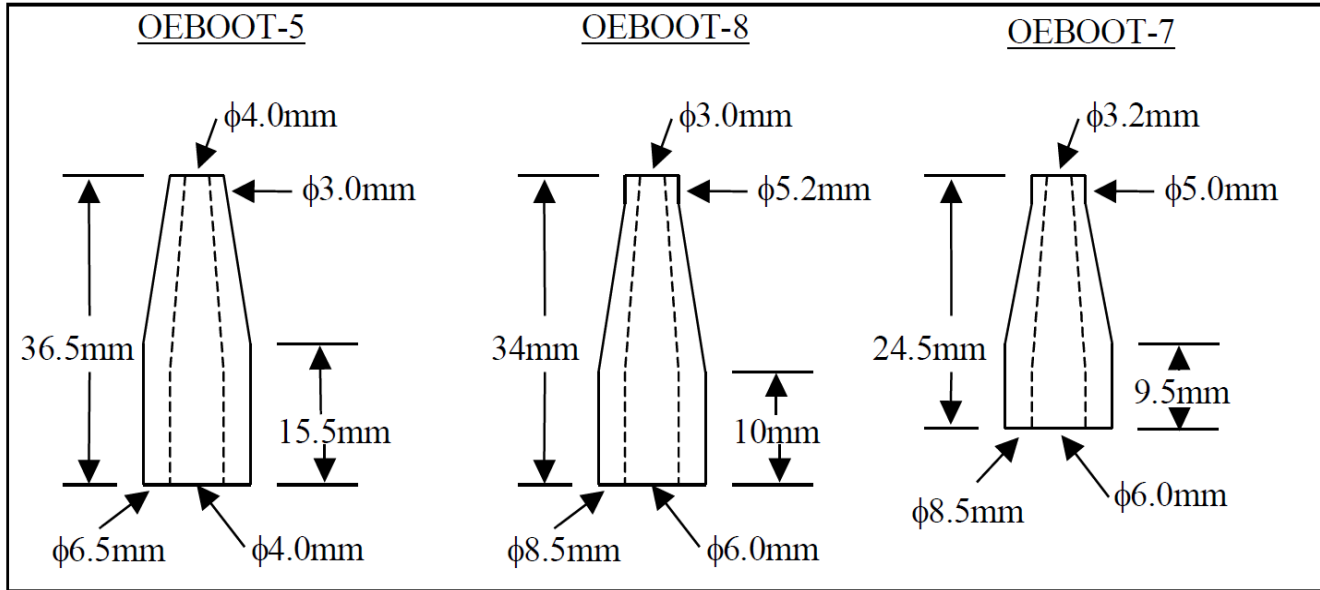


Fig2. OEPAS-BOOT-3, 9, and 10

Diagrams:

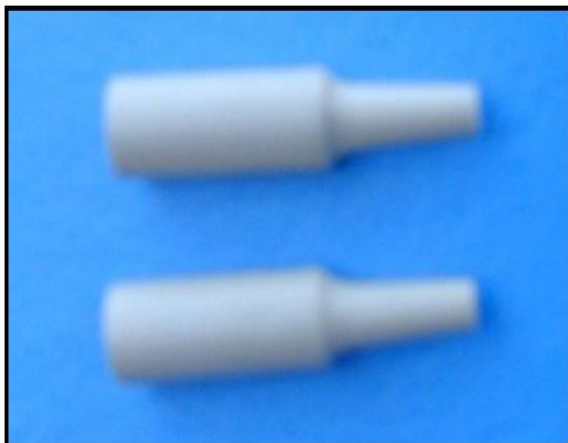
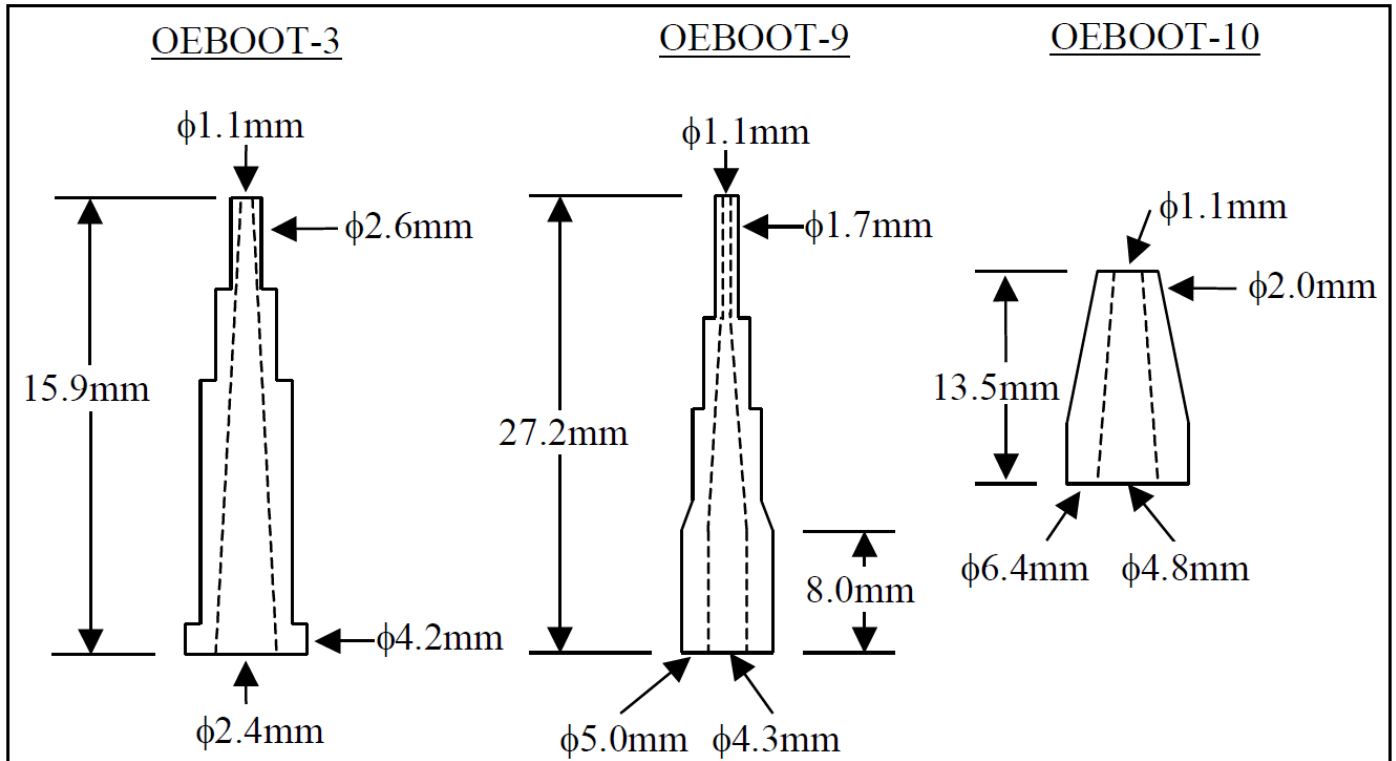


Fig2. OEPAS-BOOT-4, and 1

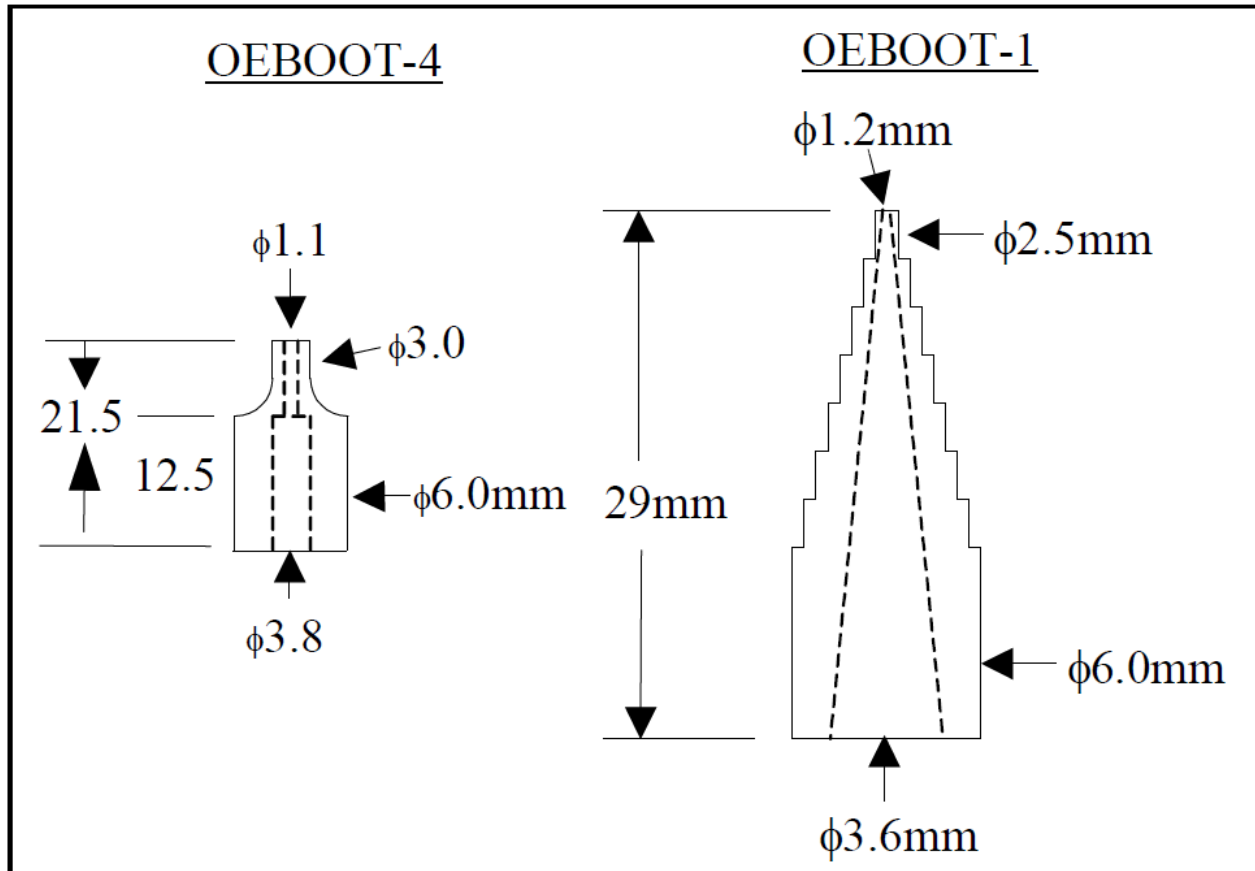


Fig3. OEPAS-BOOT-11, 14 and 15

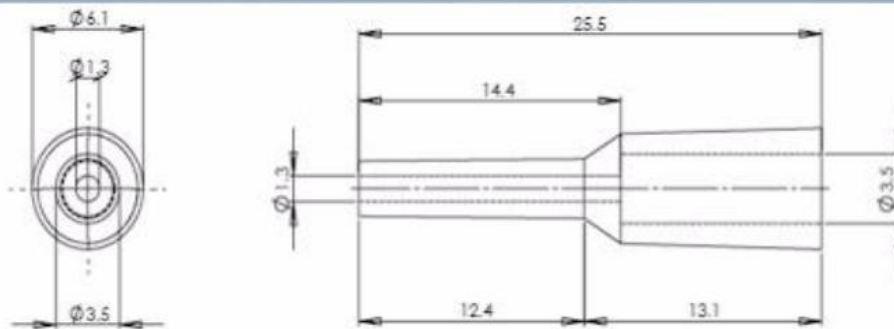
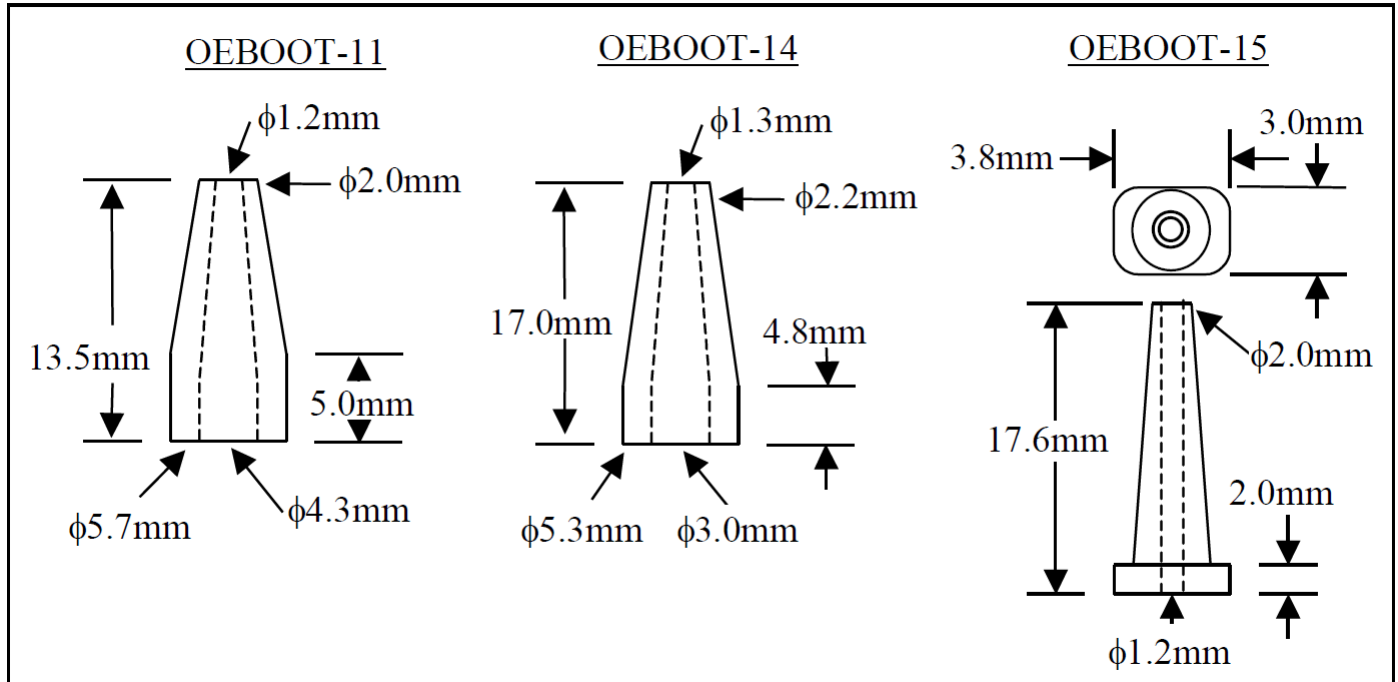


Fig4. OEPAS-BOOT-16

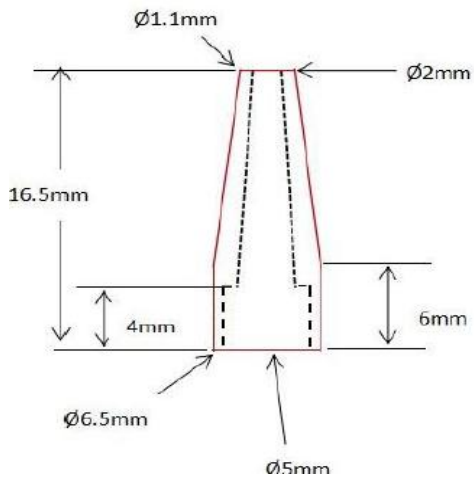


Fig5. OEPAS-BOOT-28

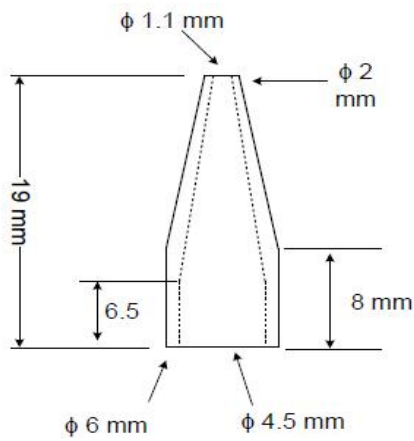


Fig6. OEPAS-BOOT29

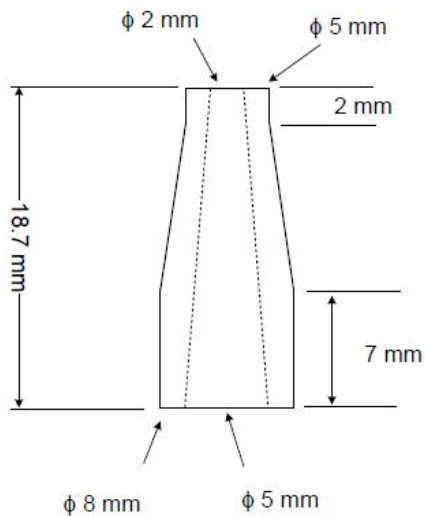


Fig7. OEPAS-BOOT30

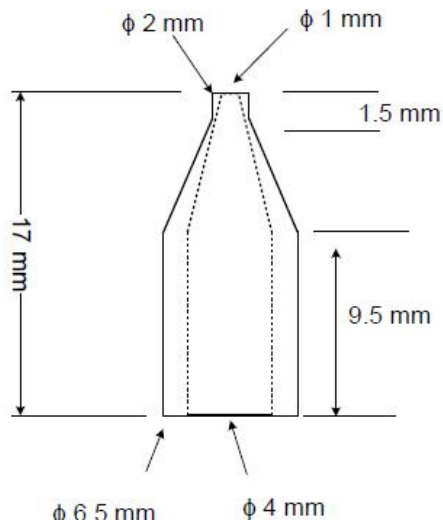


Fig8. OEPAS-BOOT-31

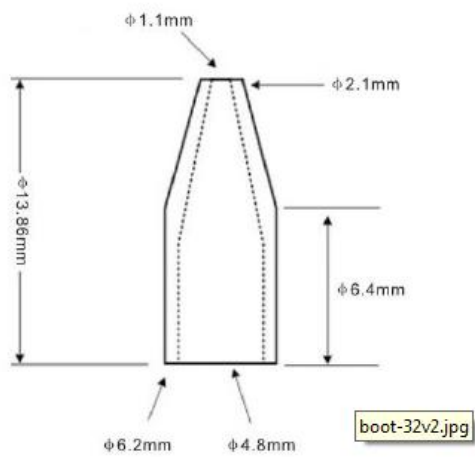


Fig9. OEPAS-BOOT-32

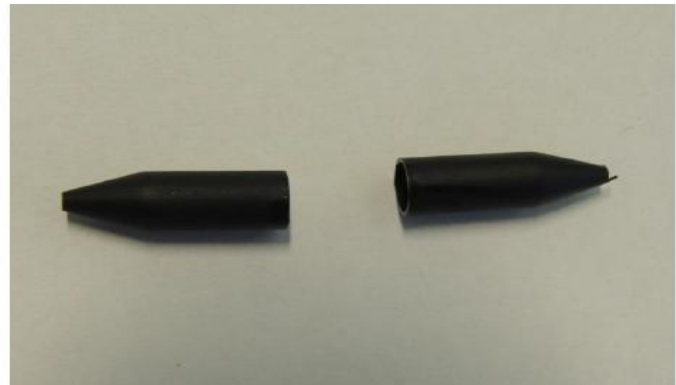
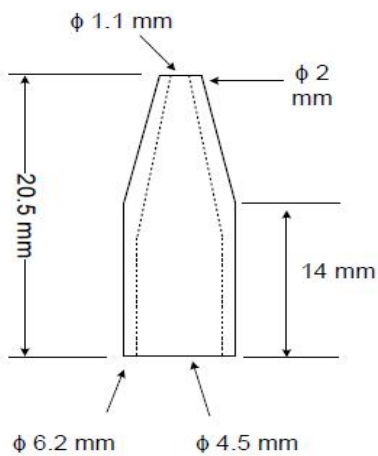


Fig10. OEPAS-BOOT-33

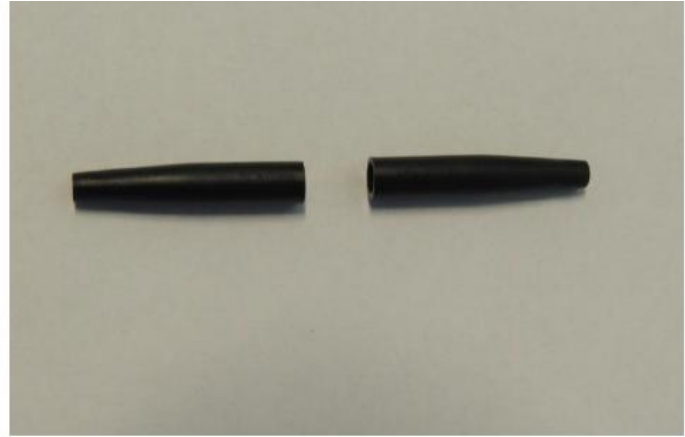
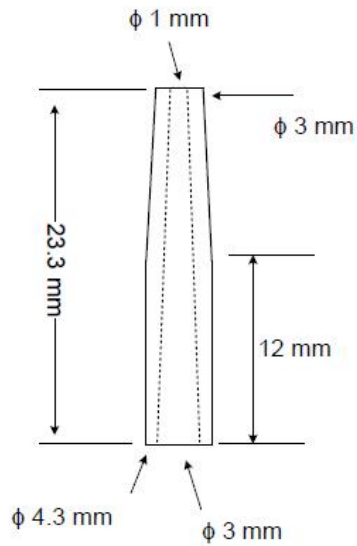


Fig11. OEPAS-BOOT-34

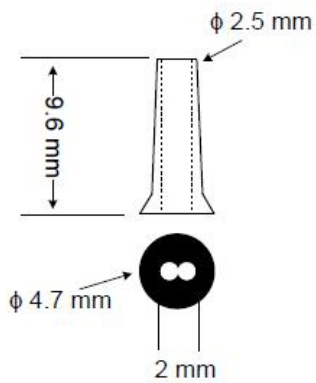


Fig12. OEPAS-BOOT-35

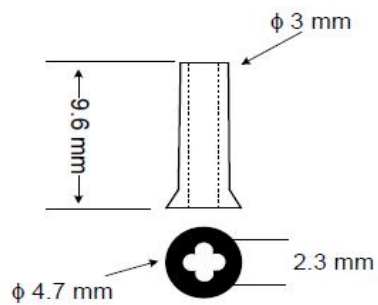


Fig13. OEPAS-BOOT-36

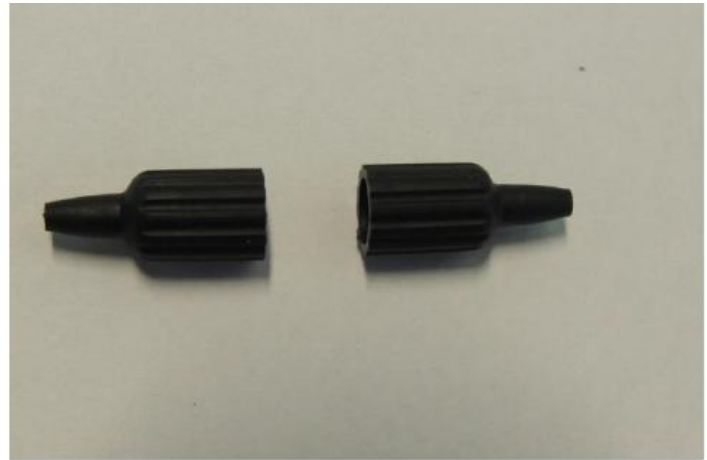
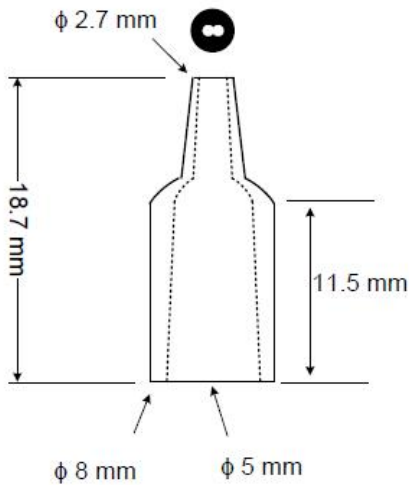


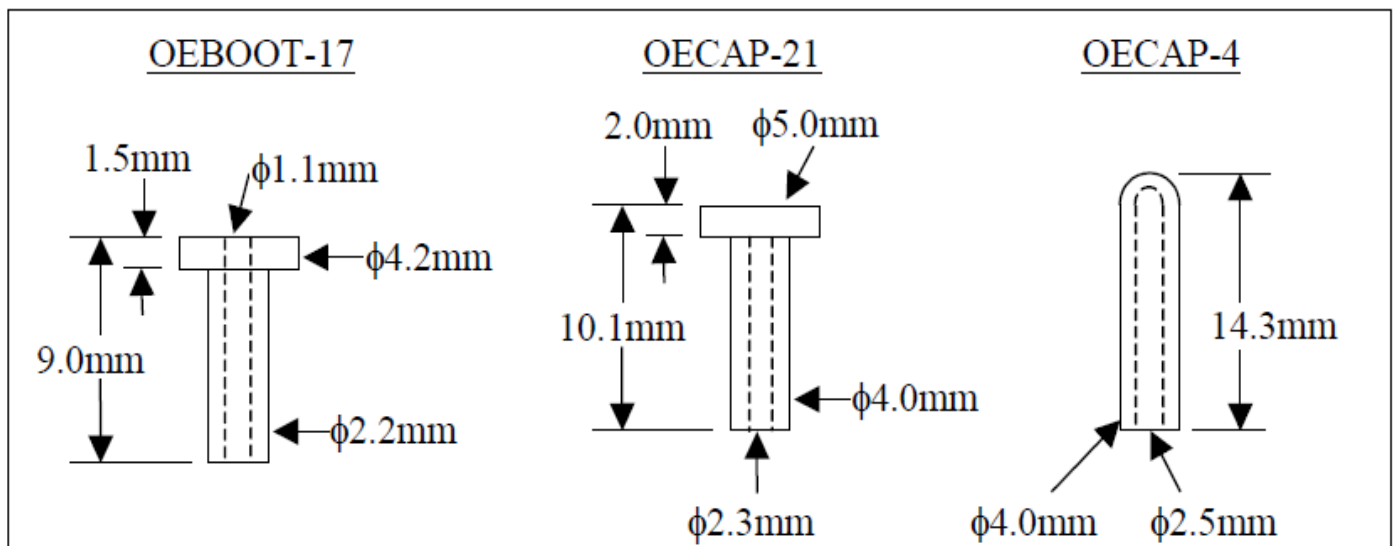
Fig14. OE PAS-BOOT-37

Dust caps:



Fig15. OE PAS-CAP-17, 21, 4

Diagrams:



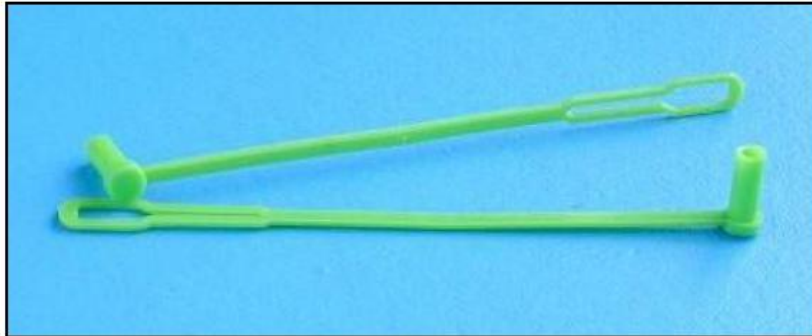


Fig16. OEAS-CAP-22, 23

Diagrams:

